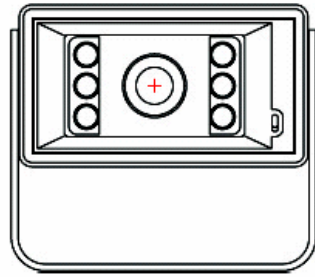


Voyager[®]

**AOC130XP / AOC130XPB
OBSERVATION SYSTEM**



AOC130XP Features:

- High Resolution, 1/3" CCD(Sony EX-view) Color Camera
- Compact/Lightweight Aluminum Die Cast Body
- Waterproof Housing
- Waterproof Microphone
- Waterproof Normal/Mirror Image Switch
- Adjustable Viewing Angle
- Optional Wind Deflector



Audiovox Specialized Applications, LLC

53200 Marina Drive

Elkhart, IN 46514

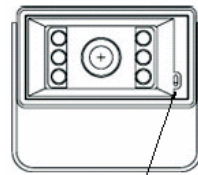
P/N A002850

REV. A

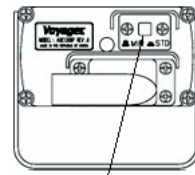
Camera
Wind Deflector
Bracket
Hardware Kit

Specifications:	
Signal System	NTSC
Image Sensor	1/3" Color CCD(Sony EX-view) w/electronic Auto-iris 270K picture elements
Viewing Angle	105° (H), 80° (V)
Outer Dimensions	2.44" x 1.5" x 2.26" (W x H x D) 6.2cm x 3.81cm x 5.75cm (W x H x D)
Weight	0.8 lbs. 0.36 kg.

*Specifications
are subject to
change without
notice.

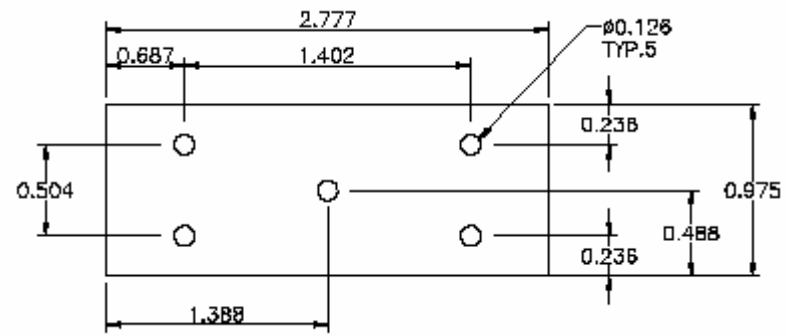


Microphone



Mirror /
Normal Switch

Mounting Bracket Footprint:

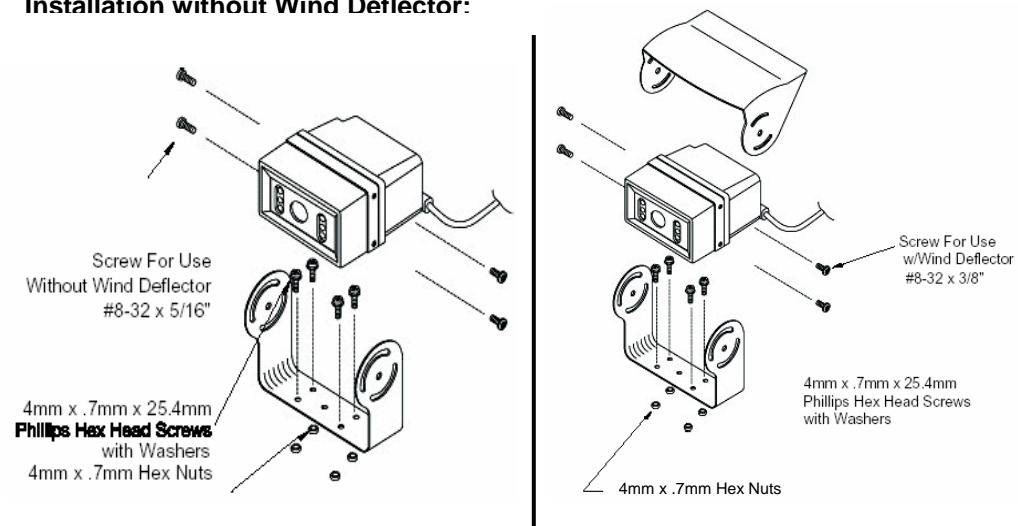


Hardware Kit:

Quantity

- 4 4mm x .7mm x 25.4mm Phillips Hex Head Screw w/Washers
- 4 4mm x .7mm Hex Nuts
- 4 Screw for use without Wind Deflector
Screw w/Attached Lockwashers
#8-32 x 5/16" Phillips Hex
- 4 Screw for use with Wind Deflector
Screw w/Attached Lockwashers
#8-32 x 3/8" Phillips Hex

Installation without Wind Deflector:



Installation and Pin Out:

