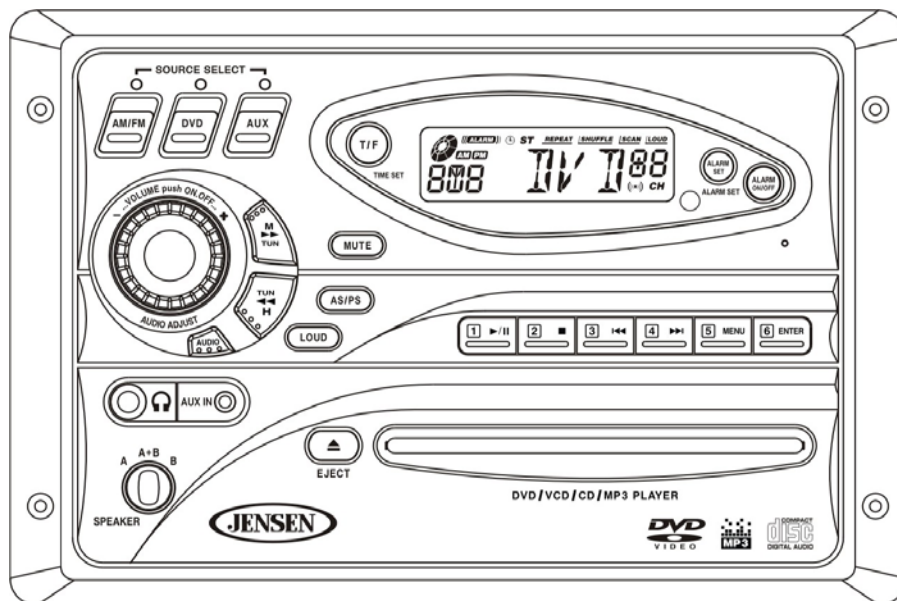


AWM950

High Power AM/FM/DVD Player

Owner's Manual

Designed Specifically for the
Van and RV Industries



AUDIOVOX SPECIALIZED APPLICATIONS, LLC

www.asaelectronics.com

Thank you for your purchase of the AWM950. It is designed to give you good value and many hours of listening enjoyment. Please read this manual carefully, as it should be able to answer many of your questions about the operation and features of this product.

IMPORTANT NOTES

Avoid installing unit in locations described below:

- Places exposed to heat radiating appliances such as electric heaters
- On top of other equipment that radiates heat
- Places lacking ventilation or dusty places
- Humid or moist places

Features:

- AM/FM Wallmount Stereo with DVD Player
- Suspended Automotive DVD Deck Mechanism
- Electronic Tuner
- Locking Power / Speaker Connector
- Clock /Alarm
- 2-Channel (Left, Right with A/B Speaker Outputs)
- Auxiliary Input Function
- Backlit Controls
- Reverse Polarity Protection
- 50 Watts Power Output
- 12VDC
- US/European Bands
- Bass/Treble
- Alarm Defeat Switch

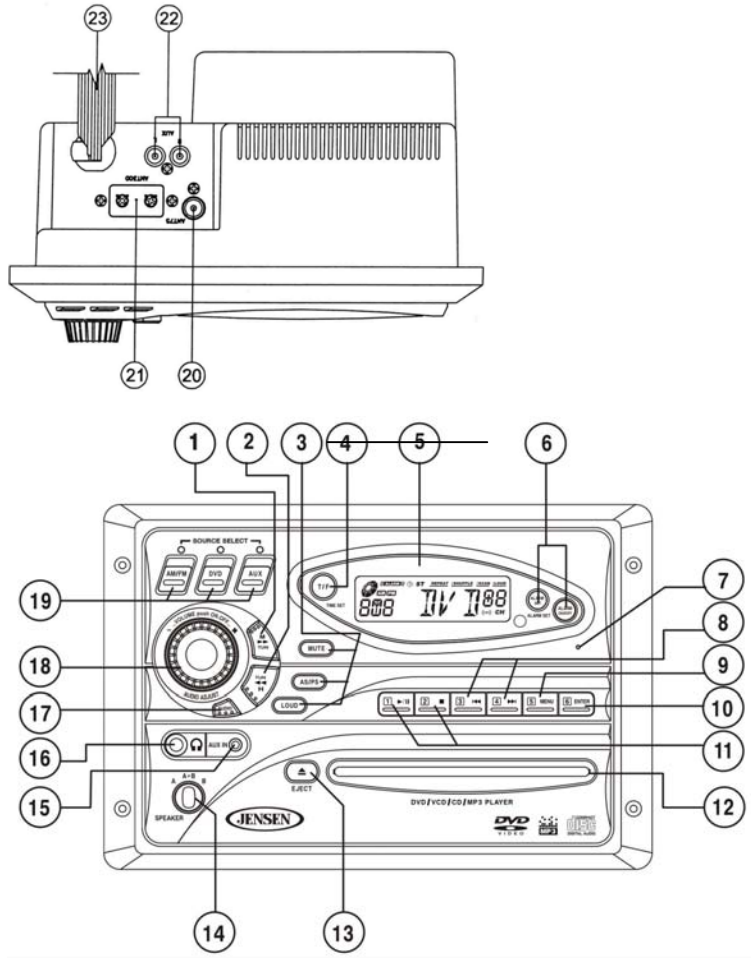
REAR PANEL FEATURES

- External Fuse Holder
- Main Wiring Pigtail with Locking Amp Connector (12-Pin)
- Auxiliary Input Phone Jacks (Left and Right)

Manual contents:

	Page:
Features-Manual contents	1
Controls Identification	2-3
Operation Instructions	4-10
Hook Up Wiring Color Code	11
Installation/Specification	12
Warranty	13

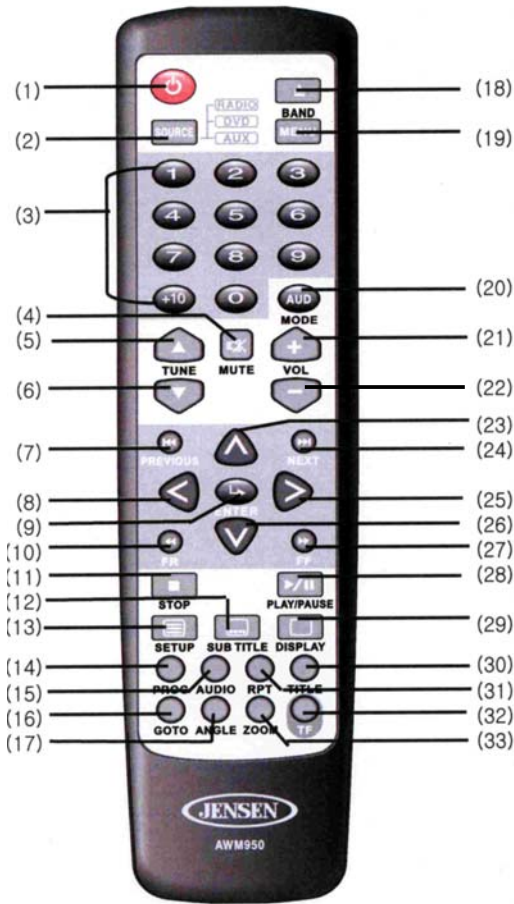
Controls Identification:



Controls Identification

- | | |
|---|-----------------------------------|
| 1) Tuning Up / Seek / Minute Set Button | 12) DVD Player |
| 2) Tuning Down / Seek / Hour Set Button | 13) Eject Button |
| 3) Mute / AS/PS / Loud Buttons | 14) Speaker Selector |
| 4) Time Set Button | 15) 1/8" Auxiliary Input Jack |
| 5) Display Window | 16) Stereo Headphone Jack |
| 6) Alarm Set / Alarm On/Off Buttons | 17) Audio Adjust Button |
| 7) Button Reset | 18) Power Switch w/Volume Control |
| 8) Preset # 3 (Previous) / Preset # 4 (Next) | 19) Source Selectors |
| 9) Preset # 5 (Menu) | 20) Car Antenna Jack – 75 ohm |
| 10) Preset # 6 (Enter) | 21) FM Antenna Terminals |
| 11) Preset # 1 (Play/Pause) / Preset # 2 (Stop) | 22) RCA Auxiliary Input Jacks |
| | 23) Harness |

Remote Controls Identification



Remote Controls Identification

- | | |
|--------------------|---------------------|
| 1) Power | 18) Eject |
| 2) Source | 19) Menu/Band |
| 3) Numeric Buttons | 20) Audio Mode |
| 4) Mute | 21) Vol + |
| 5) Tune Up | 22) Vol - |
| 6) Tune Down | 23) Up |
| 7) Previous | 24) Next |
| 8) Left | 25) Right |
| 9) Enter | 26) Down |
| 10) Fast Reverse | 27) Fast Forwarding |
| 11) Stop | 28) Play / Pause |
| 12) Subtitle | 29) Display |
| 13) Setup | 30) Title |
| 14) Program | 31) Repeat |
| 15) Audio (DVD) | 32) Time / Freq |
| 16) Go To | 33) Zoom |
| 17) Angle | |

Operating Instructions:

NOTE: Number in parenthesis (#) corresponds with "Control Identification" on page 3.

Note : Power can be turned on by pushing any button on the front of the AWM950.

LIQUID CRYSTAL DISPLAY PANEL

The liquid crystal display (LCD) panel displays the frequency, time and activated functions.

Note: It is characteristic of LCD panels that, if subjected to cold temperatures for an extended period of time, they will take longer to illuminate than under normal conditions. In addition, the visibility of the numbers on the LCD may slightly decrease. The LCD readout will return to normal when the temperature increases to a normal range.

TUNER

- 1) Turn power on by pushing the Power switch /Volume control button (18).
- 2) Use the Source Selectors (19), select the AM/FM button
- 3) Use the Speaker Selector Switch(14) to choose speaker output
- 4) Use the Tuner Up (1) or Down (2) buttons to select station manually. Also, the Station Preset buttons can select stations (this will be discussed later in the manual). Push either of the seek buttons (1 or 2) to tune to the next higher or lower active station.
- 5) Adjust Volume Control (18) to suit taste.

DVD PLAYER

- 1) Turn power on by pushing the power switch / volume control button (18).
- 2) Insert an available disc such as DVD, CD, or MP3 CD into the DVD player (12)
- 3) Use the Speaker Selector switch (14) to choose between speaker output, headphones or both.
- 4) Press the DVD Play/Pause button (11).
- 5) You may change tracks or chapters by using the Next or Previous buttons (8).
- 6) To change to AM/FM or Aux. Inputs, press the corresponding button; to return to DVD press the DVD button.
- 8) To eject the disc, press the Eject button(13).

AUXILIARY INPUT

- 1) Push Power Switch (18) "On".
- 2) Using the Source Selectors (19), choose the button labeled "AUX".
- 3) If there is an external source (example: CD shuttle or TV audio) connected to the Auxiliary Input Jacks (22) on the rear of the radio, then you can listen to your external source through the system.

SETTING THE CLOCK

- 1) Push Power Switch (18) "On".
- 2) Press the T/F button (4) to display the clock
- 3) Hold the T/F button (4) and simultaneously use the H and M buttons (1 and 2) to adjust hours and minutes.

Note: The T/F also toggles between time and radio frequency on the display.

SETTING STATION INTO MEMORY PRESET

- 1) This unit has the ability to set 18 FM and 12 AM stations into memory.
- 2) To set the AM or FM stations into memory, first tune to the desired station.

3) Then press and hold one of preset buttons (8,9,10 or 11) for more than 3 seconds.

DVD PLAYBACK OPERATIONS

***Please refer to the remote control figure on page 4.

PLAY/PAUSE

Press the button to play or pause.

EJECT

Press this button to load or eject disc.

STOP

Press this button once when playing, the unit stops and the stop location is memorized. When user presses the PLAY button after that, the unit will resume playback, If user press STOP twice, then disc stops and unit will play the disc from the beginning when the PLAY button is next pressed.

NUMERIC BUTTON

Push the buttons to play your favorite track. If the track is from 1 to 9, you can directly press the number. If the track number is 10 and over, you should use button 10+ and the other number buttons together to select the track.

DIRECTION BUTTON AND ENTER BUTTON

Press the DIRECTION button to move the cursor to the selected item, and then press the ENTER button to confirm it.

FF/FR

Press the button to select fast reverse or forward with different speed.

ZOOM

Press the button during normal playback to zoom a picture, Press this button repeatedly to change the magnification levels.

REPEAT

When playing DVD disc, press the button to repeat the title or current chapter. When playing VCD or CD disc, press the button to repeat current track, all tracks and RANDOM play mode.

GOTO

Press this button to select time, track or chapter.

AUDIO

When playing a DVD disc, press the button to select audio language. When playing other kinds of disc, press the button to select audio channel.

DISPLAY

Press this button to display the current playback information on the screen

VOL+/VOL-

Press the button to adjust sound volume.

MUTE

Press this button to mute

SETUP

Press this button to enter setup menu.

PREVIOUS/NEXT

Press this button to go to the PREVIOUS/NEXT chapter, track or song.

TITLE

For DVD discs, press this button to enter the title menu, press the DIRECTION buttons and PLAY button to select and play (only if supported by the discs).

MENU

Press this button once to return to the root menu. If user selected none of the chapters in the menu, and press MENU again, last position memory function will turn on and the disc will be played from where user last pressed the MENU button.

SUBTITLE

For DVD disc, press this button to select subtitle.

ANGLE

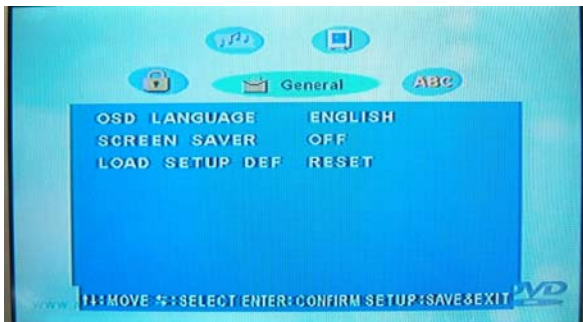
Press this button to select different visual angles if stored on the DVD disc.

SETUP OF PLAYER FUNCTION

This menu can be used to choose audio language, subtitle language, OSD language and DVD menu language. You need to set up these items when you begin to play a DVD disc. When you start to play a DVD disc, the DVD player will automatically choose default language if the DVD player contains this language already.

- You can press SETUP button on the remote control to bring this setup
- Use UP/DOWN arrow buttons to select the item that you want to change.
- USE LEFT/RIGHT arrow buttons to change your setting.
- USE UP/DOWN arrow button to exit the item you want
- USE UP/DOWN arrow button to page icon and highlight it. Use LEFT/RIGHT arrow buttons to change setup menu page.
- After finishing your setting, you can choose SETUP to exit and save these modifications into memory.

GENERAL SETUP



OSD LANGUAGE

This item is used to select OSD (On-screen display) language. It includes

- English

SCREEN SAVER

This item is used to open/close SCREEN SAVER

- On: Screen saver will automatically be executed if the screen keeps still for whole fifteen minutes
- OFF : Screen saver would not be executed in any situation

LOAD SETUP DEFAULT

This item is used to restore all menus as factory defaults, except the item related to Parent Control Sub-item.

- RESET

LANGUAGE SETUP



MENU

When you begin to play a DVD disc, this player will automatically select its default menu language which you could choose among the following items, depending on the particular DVD disk options.

- ENGLISH
- FRENCH
- RUSSIAN
- JAPANESE
- GERMAN

AUDIO

When you begin to play a DVD disc, this player will automatically select its default audio language which you could choose among the following items.

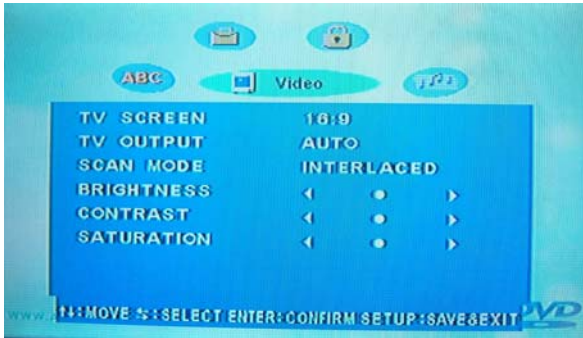
- ENGLISH
- FRENCH
- RUSSIAN
- JAPANESE
- GERMAN

SUBTITLE

When you begin to play a DVD disc, the default subtitle of this player will automatically be displayed which you could choose among the following items.

- ENGLISH
- FRENCH
- RUSSIAN
- JAPANESE
- GERMAN

VIDEO SETUP



TV SCREEN

Which picture format appears on your TV depends on what kind of TV you have and the picture mode your TV is set to;

- 4:3 – LETTER BOX refers to pictures where black bands appear at the top and bottom.
- 16:9 – WIDE SCREEN for wide screen TV (Full mode)

TV OUTPUT

This item is used to select a TV signal system to match your TV set. It includes ;

- AUTO
- NTSC
- PAL

SCAN MODE

INTERLACED (Interlaced scanning)

The default setting of the DVD player is INTERLACED (Interlaced scanning)

BRIGHTNESS

This item is used to adjust the BRIGHTNESS to your screen

- Press ENTER button to enter this item
- Press LEFT/RIGHT arrow buttons to adjust brightness
- Press UP/DOWN arrow buttons to exit

CONTRAST

This item is used to adjust the CONTRAST to your screen

- Press ENTER button to enter this item
- Press LEFT/RIGHT arrow buttons to adjust contrast
- Press UP/DOWN arrow buttons to exit

SATURATION

This item is used to adjust the SATURATION to your screen

- Press ENTER button to enter this item
- Press LEFT/RIGHT arrow buttons to adjust saturation
- Press UP/DOWN arrow buttons to exit

AUDIO SETUP



CHANNEL

2CH STEREO – Select stereo

2CH LT/RT – Select left and right channel

DIGITAL OUTPUT

- SET – Each DVD disc has its own Audio output options. You can set up the DVD's Digital Audio Output according to your speaker system. This item contains ;
- DOLBY – Select LPCM and BITSTREAM output and OFF
- DTS – Select LPCM and BITSTREAM OUTPUT and OFF
- MPEG – Select LPCM and BITSTREAM output and OFF
- PCM – Select LPCM 48KHz and LPCM 96KHz output
- DIGITAL OUTPUT – Turn digital output ON and OFF
- HDCD UPSAMPLE – Turn HDCD up sample ON and OFF
- BACK – back to AUDIO SETUP MENU

SECURITY SETUP



PARENTAL CONTROL

The parental control is a rating system such as movie ratings. This helps you control the types of DVD that your family watches. For example, you could edit out violent scenes that are unsuitable for children

- Use UP/DOWN arrow buttons to select password item, and enter a personal 4 digital right security code.
- Use UP/DOWN arrow buttons to select parent control, and use LEFT/RIGHT arrow buttons to select the parental control level.
- Press UP/DOWN arrow buttons to exit. You can not play DVD discs rated higher than level you selected unless you cancel the parental control function.

Note ; This feature works with DVD discs that have been assigned a rating.

CHANGING PARENTAL CONTROL PASSWORD

- Use UP/DOWN arrow buttons to select Password item.
- Enter old 4 – digital security code
- Then enter new 4 digital security code
- Press UP/DOWN arrow button to exit

Note : New 4 – digital security code will take effect after closing the Setup menu.

NOTE :

It is necessary to stop the disc playback if you want to enter the PREFERENCES MENU ITEM.

In PREFERENCES MENU ITEM, the system default password is 0000.

Operating instructions

USING THE AUDIO ADJUST BUTTON

- 1) You can toggle between volume, treble, bass and balance control by pressing the Audio Adjust button (17)
- 2) Once at the desired function, you can use the volume buttons to adjust.

SETTING THE ALARM

- 1) Hold the Alarm set button (6)
- 2) Use the H and M buttons (1 and 2) to adjust hours and minutes.
- 3) The alarm On/Off button (6) activates or deactivates the alarm.

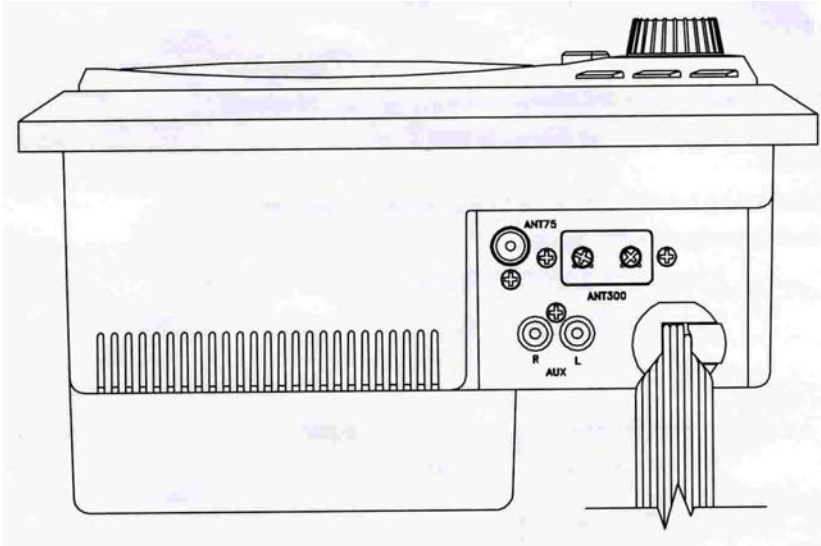
AS/PS BUTTON

This button is for Auto-Store tuning (AS) and Preset Scan Tuning (PS) (3).

- 1) Press this button momentarily during radio operation to scan the preset stations in the chosen band's memory. The unit will stop at each preset station for approximately 5 seconds before continuing on to the next preset station. Press this button momentarily to stop preset scan operation and remain on the current station.
- 2) A press of this button for longer than 2 seconds will activate the Auto-Store tuning feature which will automatically scan the band and enter up to 6 strong stations into the preset memories. After entering the stations into the memories, the unit will automatically stop at each station for approx. 5 seconds so each station can be heard.

Note ; if you have already set the preset memories to your favorite stations, activating the Auto-Store feature will erase those stations and enter the new strong stations.

Hook up wiring color code.



WIRING COLOR CODE

<u>COLOR</u>	<u>FUNCTION</u>
ORANGE/WHITE STRIPE	+12VDC IGNITION POWER
GREEN/WHITE STRIPE	+12VDC BATTERY POWER
BLACK/WHITE STRIPE	POWER GROUND (-12VDC)
WHITE	LEFT (A) SPEAKER (+)
VIOLET	LEFT (A) SPEAKER (-)
BLUE	RIGHT (A) SPEAKER (+)
LIGHT GREEN	RIGHT (A) SPEAKER (-)
RED	LEFT (B) SPEAKER (+)
VIOLET/BLACK STRIPE	LEFT (B) SPEAKER (-)
YELLOW	RIGHT (B) SPEAKER (+)
LT GREEN/BLACK STRIPE	RIGHT (B) SPEAKER (-)

RCA CONNECTOR

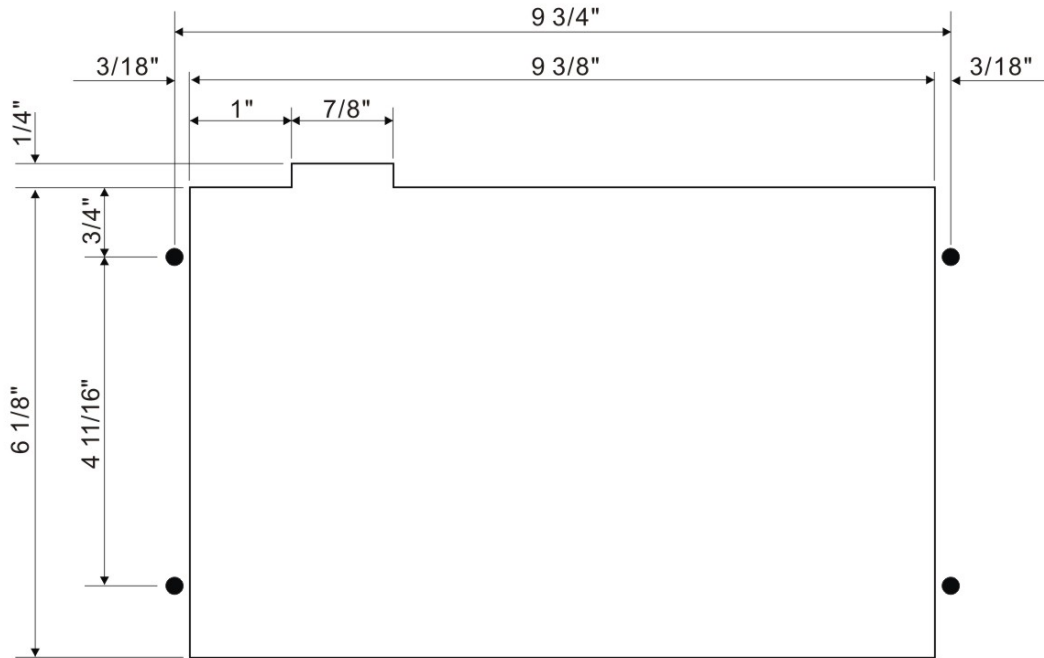
RCA JACK (AUX-R)	AUDIO IN (R)
RCA JACK (AUX-L)	AUDIO IN (L)

WIRE/PLUG COLOR

BLACK / YELLOW	VIDEO OUT
GRAY / YELLOW	VIDEO IN
BLACK / RED	AUDIO OUTPUT (R)
BLACK / WHITE	AUDIO OUTPUT (L)

Installation:

- 1) Cut a mounting hole in the desired location using mounting hole diagram (below) and use the four 3x20min self tapping screws provided to mount the unit.
- 2) Route power, speaker and antenna cables through hole and connect to unit as outlined in the Wiring Color Code diagram on the previous page.
- 3) After making sure connections are correct, test operation.



Specifications:

Operating Voltage:	11-16VDC
Output Power:	50 Watts Total (25 Watts per Channel)
Output Wiring:	2/4 speaker and Headphone System
Output Impedance:	Compatible with 4-8 Ohm Speakers, 4 Ohm Load Min.
Tuning Range:	(AM)530-1710 KHz (FM) 87.5-107.9 MHz
Sensitivity	(AM) less than 15uv (FM) less than 2.5uv
FM Stereo Separation:	More than 30dB
DVD Frequency Response:	20-20,000 Hz
DVD Channel Separation:	50dB
DVD S/N Ratio:	70dB
DVD Distortion:	0.2%
Size-	
Overall Size:	10.43"(W)x7" (H)x6.26 (D) 265mm(W)x178mm(H)x159mm(D)
Mounting Size:	9.25"(W)x6.05"(H)x5.25"(D) 235mm(W)x154mm(H)x133mm(D)
Weight:	3.75 lbs.(1.7 Kg)

*Specifications are subject to change without notice.

WARRANTY
90 DAY / 12 MONTH LIMITED WARRANTY

AUDIOVOX SPECIALIZED APPLICATIONS, LLC (the Company) warrants to the original retail purchaser of this product that should this product or any part thereof, under normal use and conditions, be proven defective in material or workmanship within 90 days from the date of original purchase, such defect(s) will be repaired or replaced (at the Company's option) without charge for parts and repair labor. After the initial 90 day period and for a period of 12 months from the date of the original purchase, the Company will supply at no charge a replacement for any defective part(s).

To obtain repair or replacement within the terms of this warranty, the end user should contact the O.E.M. The product is to be delivered to the OEM or original place of purchase, with proof of warranty coverage (e.g. dated bill of sale, and serial number of the unit, and vin#), specification of defect(s), transportation prepaid, to an approved warranty station.

This warranty does not extend to the elimination of externally generated static or noise, to the correction of antenna problems, to costs incurred for removal or reinstallation of the product, or to damage to any tapes, cd's, dvd's, speakers, accessories, or electrical systems.

This warranty does not apply to any product or part thereof which, in the opinion of the Company, has been damaged through alteration, improper installation, mishandling, misuse, neglect, or accident. THE EXTENT OF THE COMPANY'S LIABILITY UNDER THIS WARRANTY IS LIMITED TO THE REPAIR OR REPLACEMENT PROVIDED ABOVE, AND, IN NO EVENT, SHALL THE COMPANY'S LIABILITY EXCEED THE PURCHASE PRICE PAID BY THE PURCHASER FOR THE PRODUCT.

This warranty is in lieu of all other express warranties or liabilities. ANY IMPLIED WARRANTIES, INCLUDING ANY IMPLIED WARRANTY OF MERCHANTABILITY, SHALL BE LIMITED TO THE DURATION OF THIS WARRANTY. ANY ACTION FOR BREACH OF ANY WARRANTY HEREUNDER INCLUDING ANY IMPLIED WARRANTY OF MERCHANTABILITY MUST BE BROUGHT WITHIN A PERIOD OF 30 DAYS FROM THE DATE OF ORIGINAL PURCHASE. IN NO CASE SHALL THE COMPANY BE LIABLE FOR ANY CONSEQUENTIAL OR INCIDENTAL DAMAGES FOR BREACH OF THIS OR ANY OTHER WARRANTY, EXPRESS OR IMPLIED WHATSOEVER. No person or representative is authorized to assume for the Company any liability other than that expressed herein in connection with the sale of this product.

Some states do not allow limitations on how long an implied warranty lasts or the exclusion or limitation of incidental or consequential damages so the above limitations or exclusions may not apply to you. This warranty gives you specific legal rights and you may also have other rights which vary from state to state.



Visit us at www.asaelectronics.com