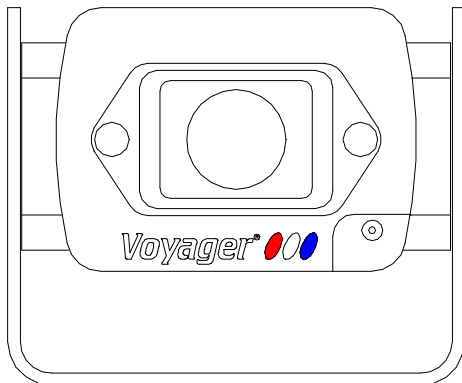


# Voyager<sup>®</sup>

## OBSERVATION SYSTEM AOC-100



### AOC-100 Features:

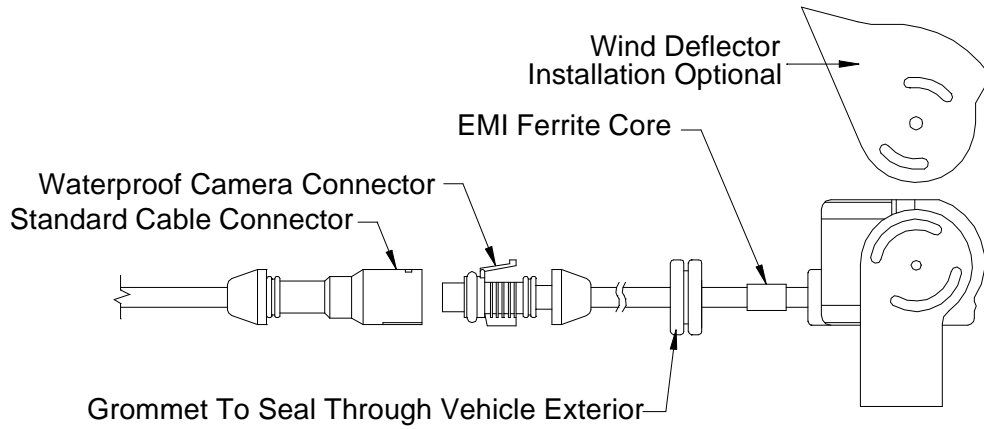
- High Resolution, 1/3" CCD Color Camera
- Compact/Lightweight Aluminum Die Cast Body
- Waterproof Housing
- Waterproof Microphone
- Waterproof Normal/Mirror Image Switch
- Adjustable Viewing Angle
- Optional Wind Deflector

Audiovox Specialized Applications, LLC  
23319 Cooper Drive  
Elkhart, IN 46514  
800-688-3135  
[www.asaelectronics.com](http://www.asaelectronics.com)

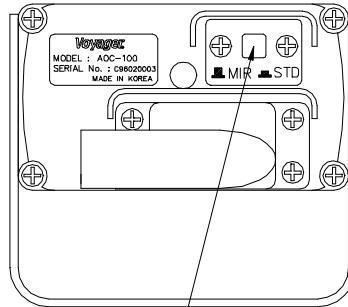
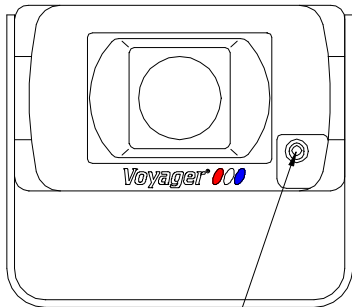
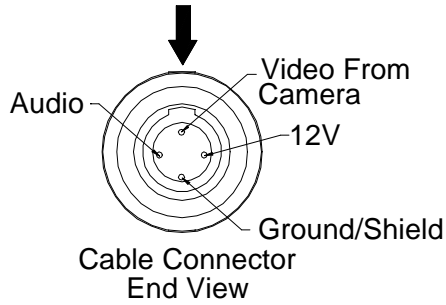
# Contents:

- Camera
- Wind Deflector
- Bracket
- Hardware Kit

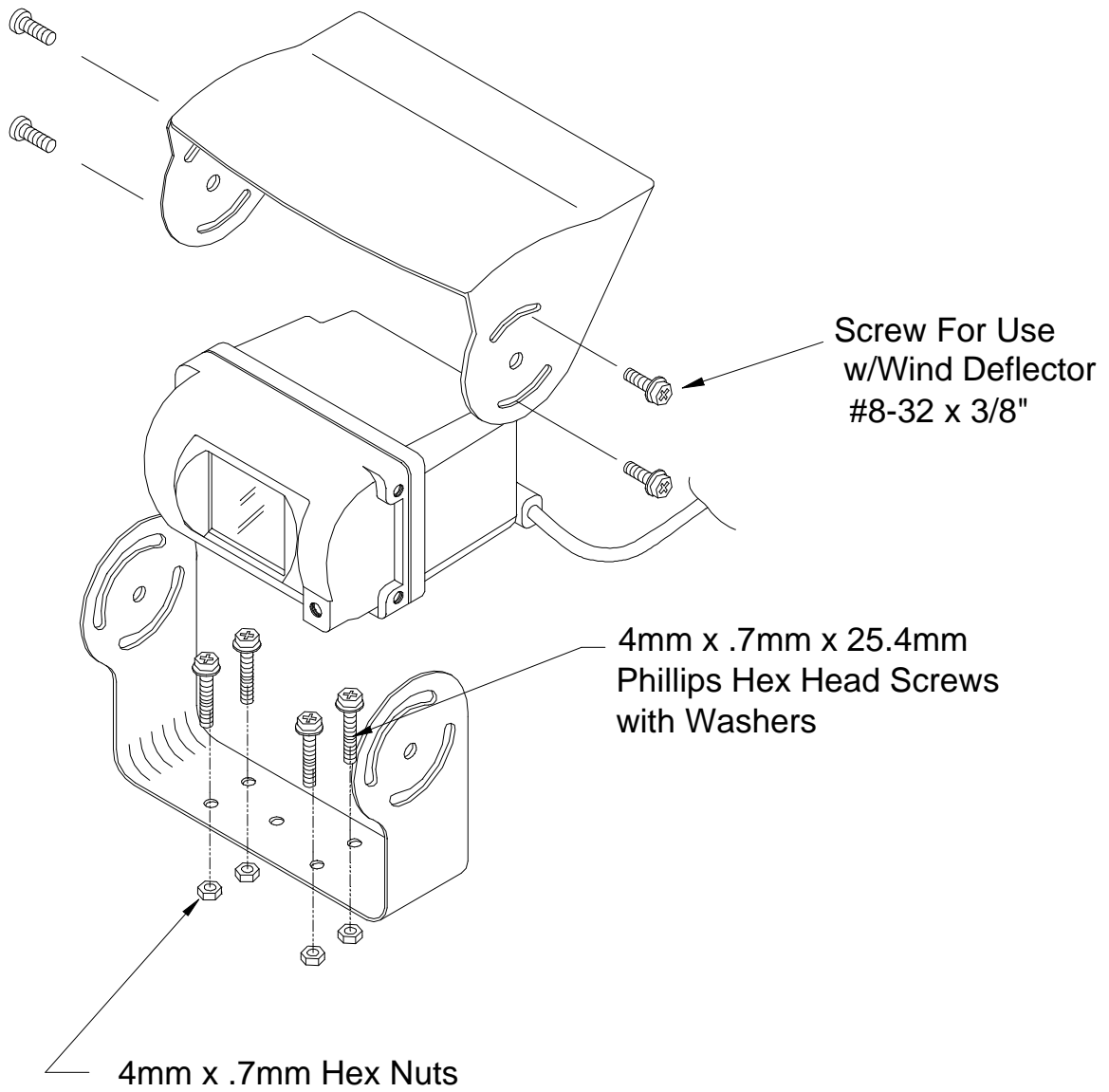
# Installation and Pin Out:



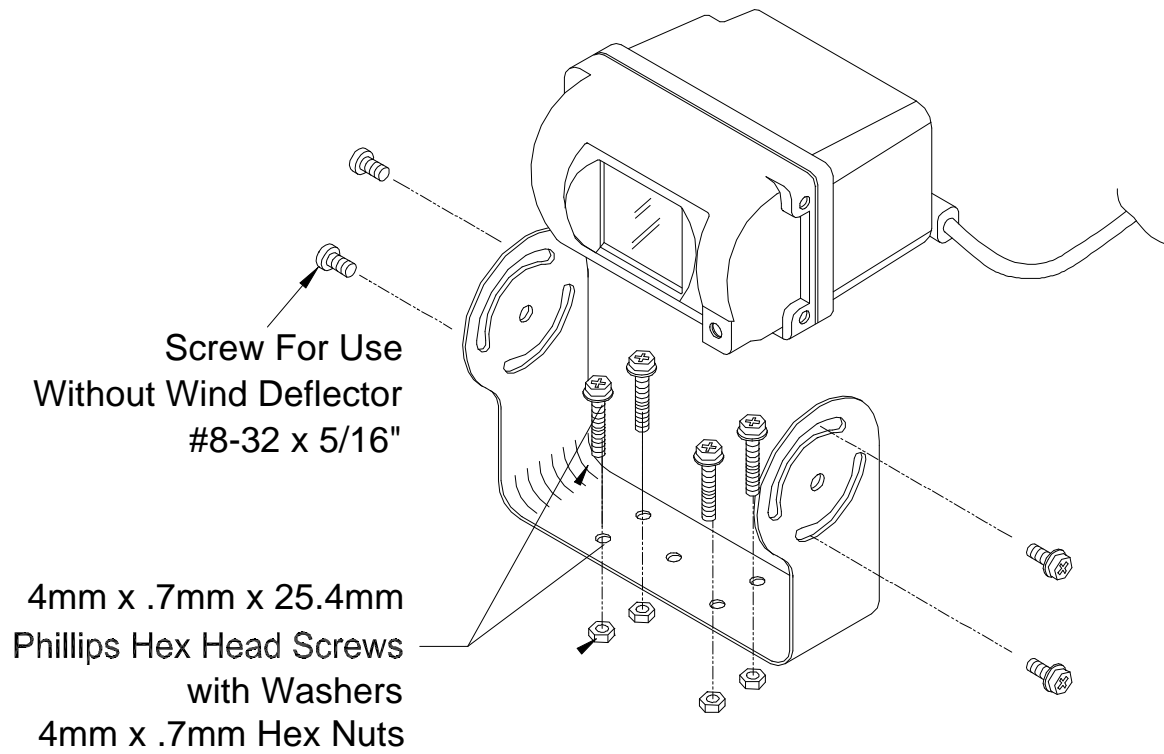
Arrow Locking Location



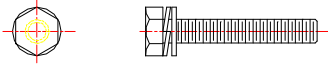



# Installation with Wind Deflector:



## Installation without Wind Deflector:



# Hardware Kit:

Quantity	
4	 4mm x .7mm x 25.4mm Phillips Hex Head Screw w/Washers
4	 4mm x .7mm Hex Nuts
4	<p>Screw for use without Wind Deflector</p>  #8-32 x 5/16" Phillips Hex Screw w/Attached Lockwashers
4	<p>Screw for use with Wind Deflector</p>  #8-32 x 3/8" Phillips Hex Screw w/Attached Lockwashers



## Accessory List:

Description	Part Number
AVT-988 9" Color Television with Remote (12V)	AVT988
AVT-597 5" Color Television with Remote (12V)	AVT597
AVT-1498 13" Color Television with Remote (12V)	AVT1498
AVP-7000 Video Cassette Player (12V)	AVP7000
AVP-7285 Video Cassette Player (12V)	AVP7285
Wireless Headphone Kit: Includes 2 sets Wireless Headphones and Transmitter	WRFKIT1
BPA-501-12 4 Amp Adapter for use with AVT-988 9" and AVT-1498 13" Televisions	0891412
AC2A- 2 Amp Adapter for use with AVT-597 5" TV and AVP-7000 Video Cassette Player	0891436
Unified Remote Control	0892325
VAC-21- 12 Volt Corded Vacuum	VAC21
AVF-1 12 Volt Rechargeable Flashlight	AVF1
HP-175 Headphones with Pivoting Ear Cup	HP175
HP-275 Headphones with Volume Control on Cord	HP275
HP-375 Studio Quality Headphones	HP375

Unlike household electronics, all of our products have been specifically designed and tested for the mobile environment and are only available through ASA. To order any of these products, please contact Audiovox Specialized Applications at [www.asaelectronics.com](http://www.asaelectronics.com) or 800-688-3135.



P/N 8002850  
Rev. D 12/00