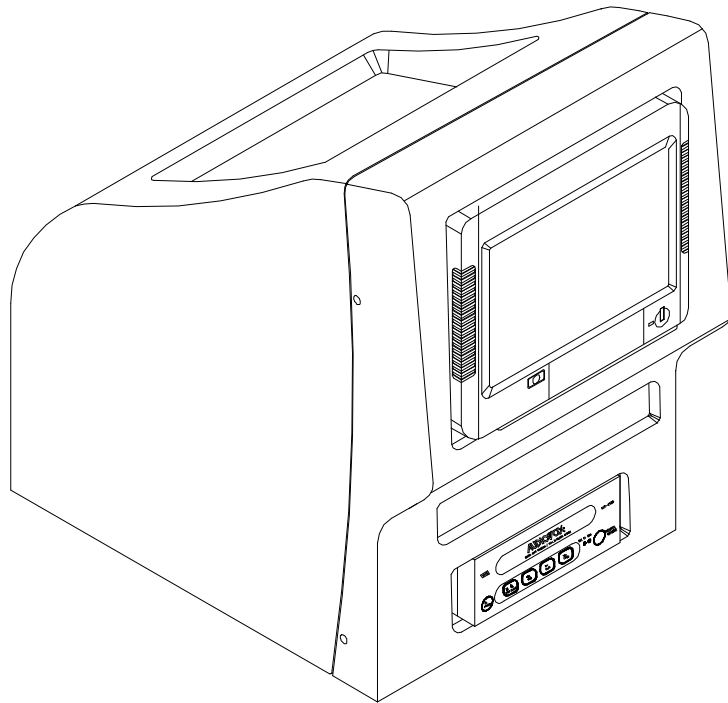


ASA Electronics TV/VCP Floor Console Model K-9 With out Harness and Antenna

12 Volt DC powered remote controlled 9" television AVT-975

12 Volt DC powered remote controlled VHS Video Cassette Player AVP-7000

Installation Instructions



Audiovox Specialized Applications, LLC
23319 Cooper Drive
Elkhart IN 46514
1 (219) 264-3135
www.audiovox.com

This manual contains specific instructions on how to install this automotive TV/VCP floor console. Please read this manual thoroughly before installing the console into the vehicle.

****WARNING****

In order to maintain a safe mounting system, this console **MUST** be secured to the floor of the vehicle according to the instructions contained in this manual. Failure to do so may result in the console breaking loose in the event of an accident.

It is unlawful in most jurisdictions for a person to drive a motor vehicle which is equipped with a television viewer or screen that is located in the motor vehicle at any point forward of the back of the driver's seat, or that is visible, directly or indirectly, to the driver while operating the vehicle. This product should **only** be installed to the rear of the driver's seat where it will not be visible, directly or indirectly, to the operator of the motor vehicle.

Required tools for installation:

Electric drill
1/4" steel drill bit
1/8" steel drill bit
Phillips screwdriver
Socket wrench set with deep-well, 7/16" socket
Box end wrench, size 7/16"
Soldering Iron

Two people are required for installation.

0892105	Bracket Kit	1
8007101	Bracket, Mounting	4
8007105	Screw, Hex #8x3/4 self drilling	20
8007106	Washer, 3/16"	20
8007110	Strap, Open, Nylon	1
8007111	Strap, Loop, Nylon	1
8007125	Bolt, 1/4"x1 1/2" Hex	4
8007126	Washer, Fender 5/16"	4
8007128	Nut, Nylon Insert 1/4"	4
8007132	Installation Manual	1

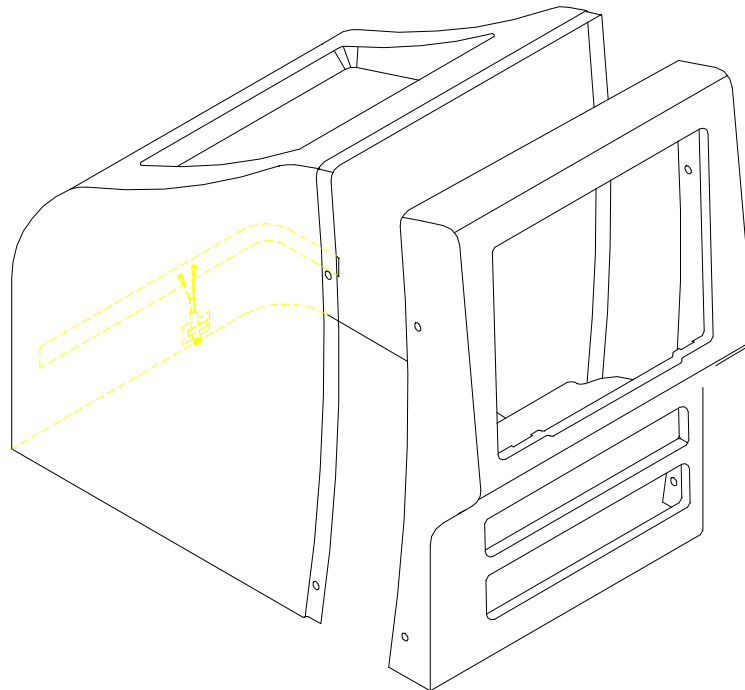
There are six (6) steps to install the K-9 TV/VCP floor console:

- Step # 1 Remove face of the console
- Step # 2 Install brackets and the straps
- Step # 3 Install console to the floor of the vehicle
- Step # 4 Install VCP
- Step # 5 Install TV
- Step # 6 Replace console face

STEP #1 REMOVE THE FACE OF THE CONSOLE

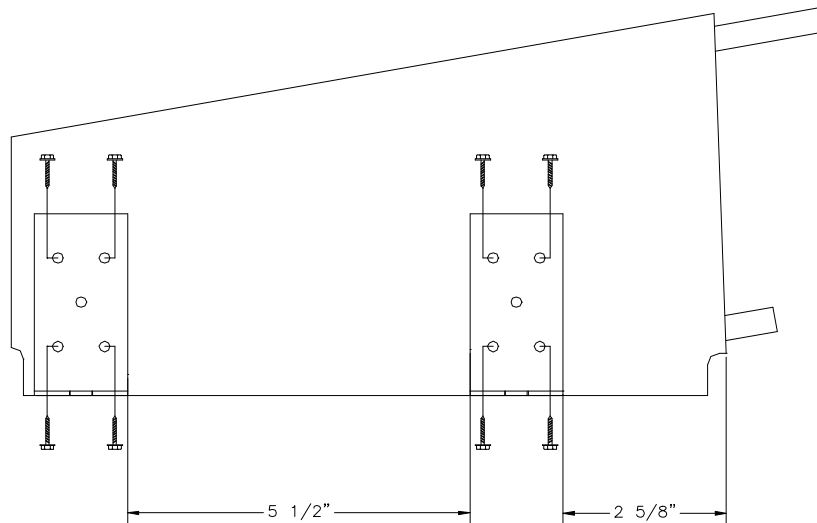
- ⇒ Remove 4 Phillips screws securing face of console to body of console.
- ⇒ Set screws and face aside. Take care that screws do not get lost.

- 1) Disassemble shroud.

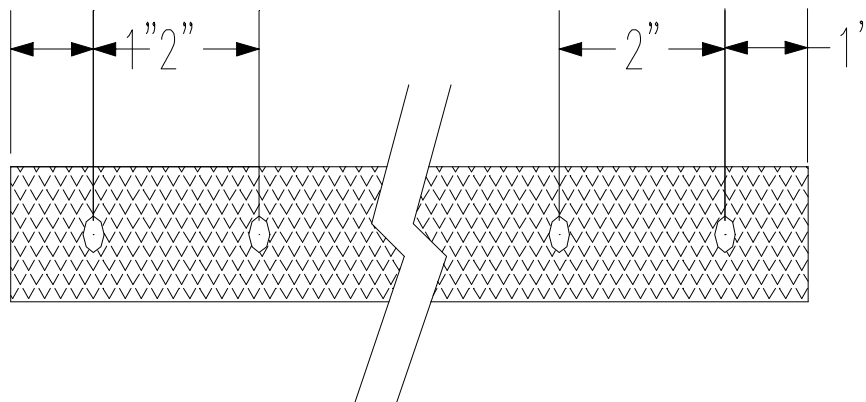


Step #2 Install brackets and straps

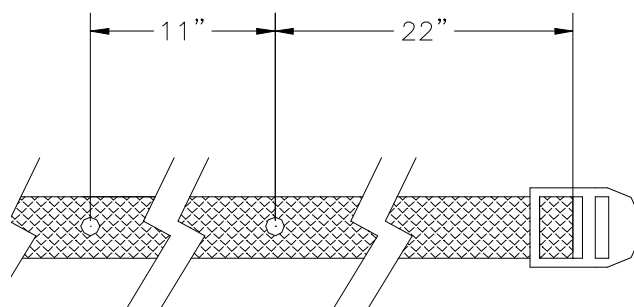
1) Mount brackets using four screws. Do not use center hole.



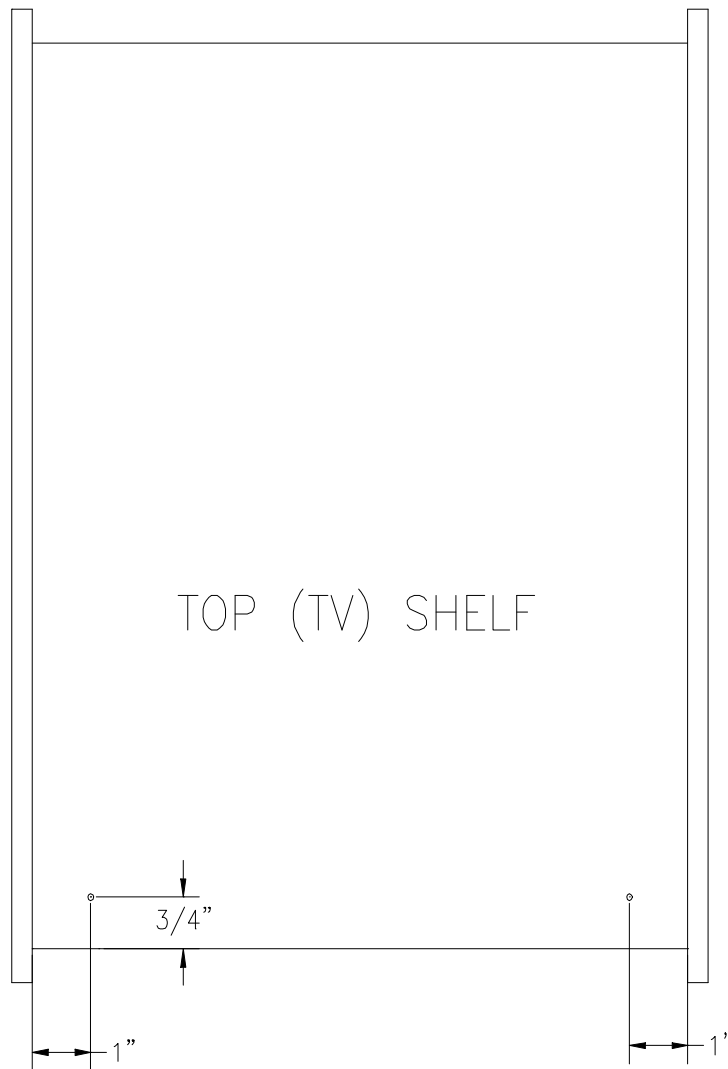
2) Use soldering iron, if necessary, to melt holes in open strap, as shown.



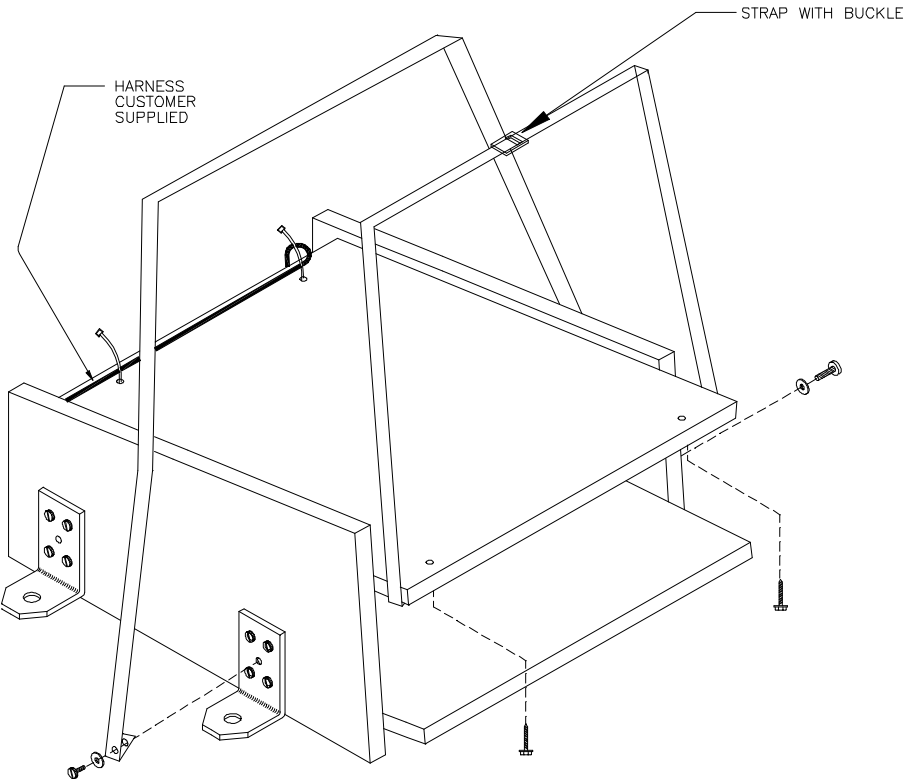
3) Use soldering iron, if necessary, to melt holes in closed strap, as shown.



3) Pre-drill 1/8" pilot holes on bottom TV shelf for strap.

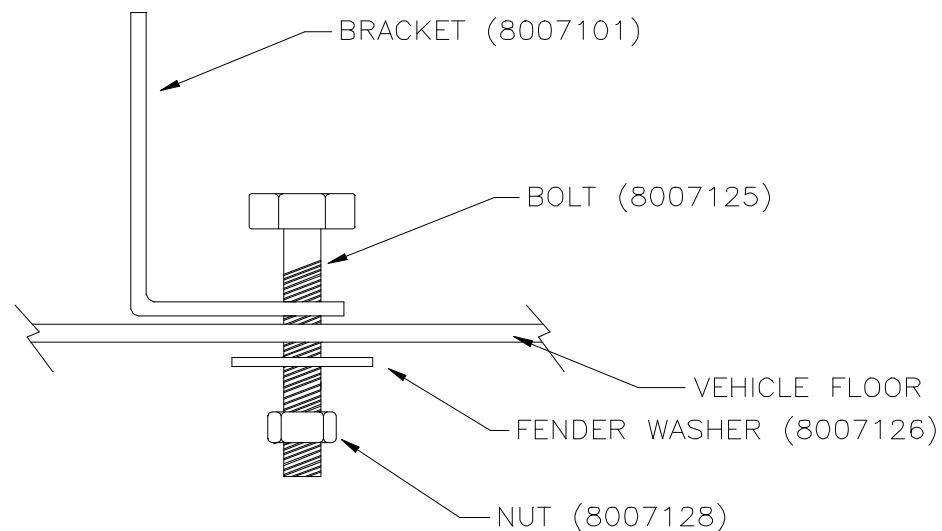


1) Attach both straps and customer-supplied harness, securing harness as needed.



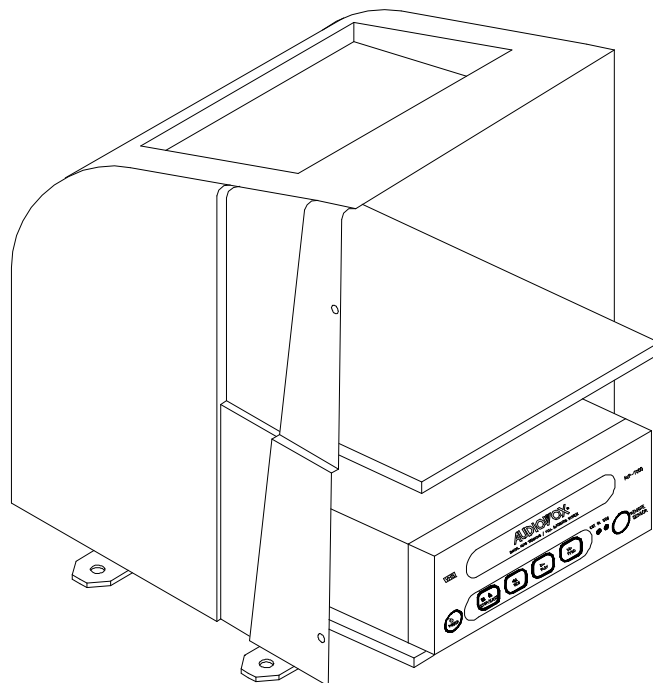
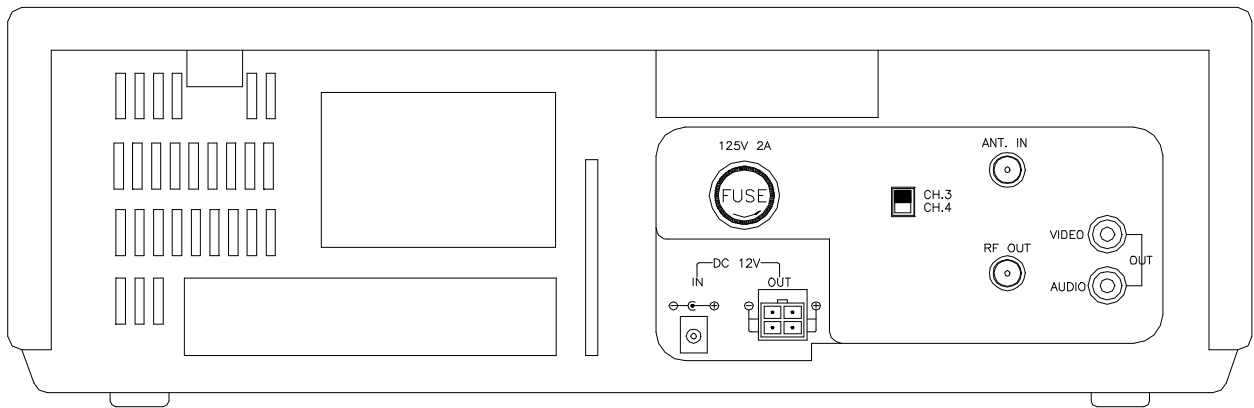
Step #3 INSTALL CONSOLE TO FLOOR OF VEHICLE

- ⇒ BEFORE DRILLING ANY HOLES VERIFY THAT DRILL BIT WILL NOT ENTER INTO FRAME RAIL(S) OF VEHICLE, ELECTRICAL WIRES, FUEL LINES, BRAKE LINES, HOSES, EXHAUST SYSTEMS OR ANY OTHER ITEMS THAT WILL IMPAIR OPERATION OF VEHICLE. THE BOLTS OF THE FLOOR CONSOLE MUST SECURE TO FLOOR PANEL OF VEHICLE. CLIMB UNDER VEHICLE AND LOOK TO VERIFY THAT HOLES WILL BE IN PROPER LOCATIONS.
- ⇒ Set console on floor of vehicle and mark where holes are to be drilled. Drill small 1/8" pilot holes to verify that drill holes are in proper locations.
- ⇒ After verifying that 1/8" pilot holes are in proper locations, use 1/4" drill bit to enlarge 1/8" pilot holes.
- ⇒ Set console on floor over holes.
- ⇒ Place bolts through feet of console and into holes previously drilled.
- ⇒ Place one large fender washer over each of bolts and attach nuts.
- ⇒ Tighten nuts down securely. Have second person inside vehicle hold bolts securely with box-end wrench while person underneath vehicle tightens down nuts.



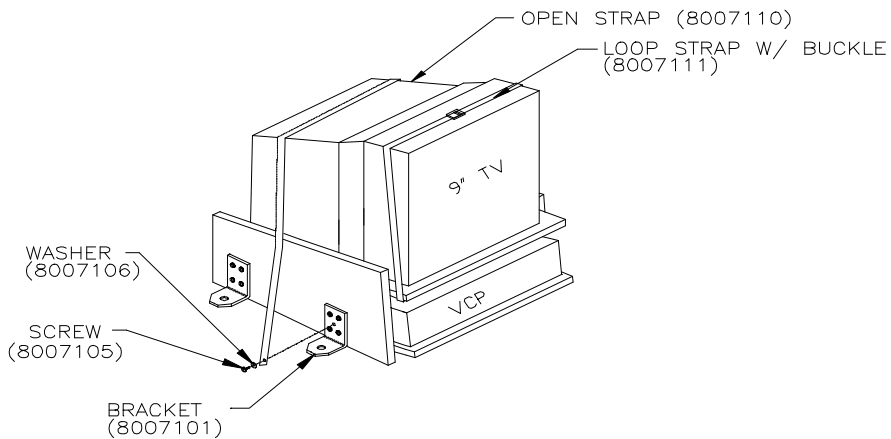
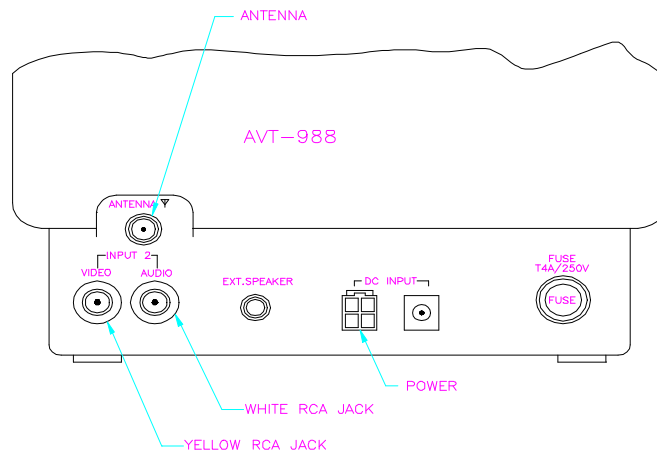
STEP #4 INSTALL VCP INTO CONSOLE

- ⇒ Remove VCP from box.
- ⇒ Connect white RCA connector (customer supplied) from console wiring harness to white audio output jack of VCP.
- ⇒ Connect yellow RCA connector (customer supplied) from console wiring harness to yellow audio output jack of VCP.
- ⇒ Connect DC power connector (customer supplied) from console to DC power jack of VCP.
- ⇒ Slide VCP into slot in front of console.



STEP #5 INSTALL TV INTO CONSOLE

- ⇒ Connect yellow RCA connector (customer supplied) to yellow RCA input jack on rear of television. This is the video connection.
- ⇒ Connect white RCA connector (customer supplied) to white RCA input jack on rear of television. This is the audio connection.
- ⇒ Connect DC power connector (customer supplied) to rear of television.
- ⇒ Connect coaxial cable antenna “F” connector (customer supplied) to rear of television “ANT” input.
- ⇒ Place television on shelf of console.
- ⇒ Secure television down with two straps. Make absolutely certain that straps are tight.



STEP #6 REPLACE THE FACE OF THE CONSOLE

- ⇒ Place face of console over body of console. Gently tap into place.
- ⇒ Install four Phillips screws that hold the face to the body.

